

Specifications

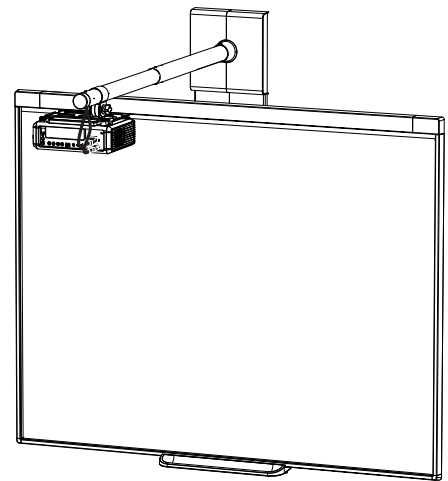
SMART Board™ interactive whiteboard system

Model 480iv

Physical specifications

SMART Board™ 480iv interactive whiteboard

Size	160.5 cm W × 127.2 cm H × 13 cm D (63 1/4" × 50" × 5 1/8")
Active screen area (maximum interactive projected image)	156.5 cm W × 117.2 cm H (61 5/8" × 46 1/8") 195.6 cm (77") diagonal
Weight	23.2 kg (51 lb.)
Shipping size	178 cm W × 136 cm H × 11 cm D (70" × 53 1/2" × 4 1/2")
Shipping weight	28.7 kg (63 lb. 3 oz.)



All dimensions +/- 0.3 cm (1/8"). All weights +/- 0.9 kg (2 lb.).

SMART V25 projector system

Projector	47 cm W × 39.4 cm H × 130.2 cm D (18 1/2" × 15 1/2" × 51 1/4")
Remote control	4 cm W × 8.6 cm H × 0.7 cm D (1 5/8" × 3 3/8" × 1/4")
Weight	6.7 kg (14 lb. 8 oz.)
Shipping size	Mounting kit box 72.5 cm W × 45.5 cm H × 17 cm D (28 1/2" × 18" × 6 5/8") Projector box 45 cm W × 32.6 cm H × 16.1 cm D (17 3/4" × 12 7/8" × 6 3/8")
Shipping weight	9.3 kg (20 lb. 8 oz.)

Extraordinary made simple™

SMART™

SPECIFICATIONS

SMART Board interactive whiteboard system – Model 480iv

Standard features

System requirements Windows® operating systems and Linux® operating systems. See the SMART Notebook™ collaborative learning software release notes for Windows operating systems (smarttech.com/kb/126571), or Linux operating systems (smarttech.com/kb/146487) for a complete list of system requirements.

Software The DVD includes SMART Notebook software and SMART Product Drivers. Software upgrades are available from smarttech.com/software.

Environmental compliance China EIP, EU RoHS, EU WEEE, Packaging and US CPSIA

Regulatory certification

Interactive whiteboard system CB, CE, C-Tick, FCC, GOST-R

Interactive whiteboard CB, cCSAus

Projector CB, cULus, CCC, KC, NOM, PSB, PSE, TUV-GS, VCCI

Warranty The projector and projector lamp have a two-year limited equipment warranty. Your interactive whiteboard has a two-year limited equipment warranty. See warranty documents for details.

Cables Includes a 3 m (10') USB cable and a country-specific power cable

Interactive whiteboard features

Pen Includes a pen tray pen

Resolution Digitizing resolution is approximately 32767 × 32767

Screen surface The hard-coated steel surface is durable, optimized for projection, compatible with dry-erase markers and easily cleaned with whiteboard cleaner.

Digitizing technology DViT™ (Digital Vision Touch) technology

Projector mounting template Ensures simple installation and accurate alignment between your projector and your interactive whiteboard.

Frame finish Dark gray (approximates PANTONE® Charcoal Gray 18-0601 TPX)

SPECIFICATIONS

SMART Board interactive whiteboard system – Model 480iv

Wall-mount bracket	Includes a 81.3 cm (32") wide bracket, five screws and five concrete or brick anchors to support your wall-mounted interactive whiteboard
Computer connection	12 Mbps USB connection (full-speed USB 1.1 or USB 2.0) Your SMART Board 480 interactive whiteboard supports one computer connection on a primary display only.
Power requirements	Obtains power from the computer through the USB cable. Power consumption is less than 0.5 W (100 mA at 5V).
Installation instructions	The installation instructions for your SMART Board 480iv interactive whiteboard system are included in the projector boom box. Additional documentation is available from smarttech.com/support .



IMPORTANT

Do not use the installation instructions included in your interactive whiteboard box when installing your SMART Board 480iv interactive whiteboard system.

SMART V25 projector system features

System components	SMART V25 projector remote control and boom mount with a safety tether
Image adjustment	The boom mount includes mechanical adjustments for aligning the projector image with your interactive whiteboard. The projector also has a focus ring and a digital on-screen menu for brightness, contrast and other image attributes.
Display type	Native XGA 1024 × 768 projector
Display technology	The projection engine uses DLP® technology by Texas Instruments™, providing BrilliantColor™ performance and quality Gamma 2.2 correction with Bright Room, Dark Room, sRGB, User and SMART Presentation modes.
3D technology	3D-ready projector using DLP Link™ technology
Brightness	Estimated at 2000 lumens (typical) at a CCT of 6500 K by the IEC method
Lamp life	4500 hours (Standard 190 W mode) or 6000 hours (Economy 160 W mode)
Aspect ratio	Native 4:3 aspect ratio, with support for 16:9, 16:10 and 5:4 aspect ratios
Contrast ratio	1600:1
Video system compatibility	NTSC, NTSC 4.43, PAL, PAL-M, PAL-N, SECAM

SPECIFICATIONS

SMART Board interactive whiteboard system – Model 480iv

Video interface compatibility	Composite, S-video, and VESA® RGB, with additional interface support for Component YPbPr and Component YCbCR inputs with the proper adapters (not included)	
Video format compatibility	Native 4:3 aspect ratio XGA resolution. Supports VGA, SVGA, SXGA, Quad VGA, SXGA+ and UXGA formats with scaling.	
Synchronization	Auto image synchronization (auto tracking, frequency, position adjustment, source detect and phase detect)	
Input/output connections	HD DB15F connector	RGB video input from the computer
	4-pin mini-DIN connector	S-video input
	Pair of audio jacks (RCA, stereo)	reserved for use with S-video
	Composite video connector	RCA-style video input
	Pair of audio jacks (RCA, stereo)	reserved for use with composite video
	3.5 mm stereo jack	audio input from the computer
	3.5 mm stereo jack	audio output to connect speakers
	RJ45	network connection for SNMP management and control, and for sending e-mail alerts
	DB9F (RS-232) connector	input for control codes from external source
Projector noise	36 dBA (high fan speed) or 31 dBA (standard fan speed), measured using the JIS method	
Power requirements	100V AC to 240V AC, at 50 Hz to 60 Hz	
Power cable	Includes a 4.5 m (14' 9") country-specific power cable	
Room control	The DB9F (RS-232) connector is configured to accept control codes from your computer or a room control system.	
Power consumption	240 W in High Brightness, 200 W in Economy mode and <1 W in Standby mode (without a network connection)	
Remote control	Provides an alternative method of controlling the projector settings	
Theft protection	The projector system features an optional padlocked ring to prevent theft.	
	A Kensington security lock slot is provided to secure the system to a wall as a visual and physical theft deterrent.	

Storage and operating specifications

Storage	-20°C to 70°C (-4°F to 158°F) at 5% to 90% relative humidity (non-condensing)
Operation	
Humidity	5% to 85% relative humidity at 0 m to 3000 m (0' to 9800')

SPECIFICATIONS

SMART Board interactive whiteboard system – Model 480iv

- | | |
|-------------|---|
| Temperature | <ul style="list-style-type: none">• 5°C to 35°C (41°F to 95°F) from 0 m to 1800 m (0' to 6000')• 5°C to 30°C (41°F to 86°F) from 1800 m to 3000 m (6000' to 9800') |
| Fan mode | <ul style="list-style-type: none">• Automatic from 0 m to 2000 m (0' to 6500')• Manually set to High using the service menu from 2000 m to 3000 m (6500' to 9800') |

SMART order numbers

- | | |
|--------------------|---|
| SB480iv | SMART Board 480 interactive whiteboard with a SMART V25 projector |
| SB480iv-A | SMART Board 480 interactive whiteboard with a SMART V25 projector and 20 W audio system |
| 20-01500-20 | Replacement projector lamp |

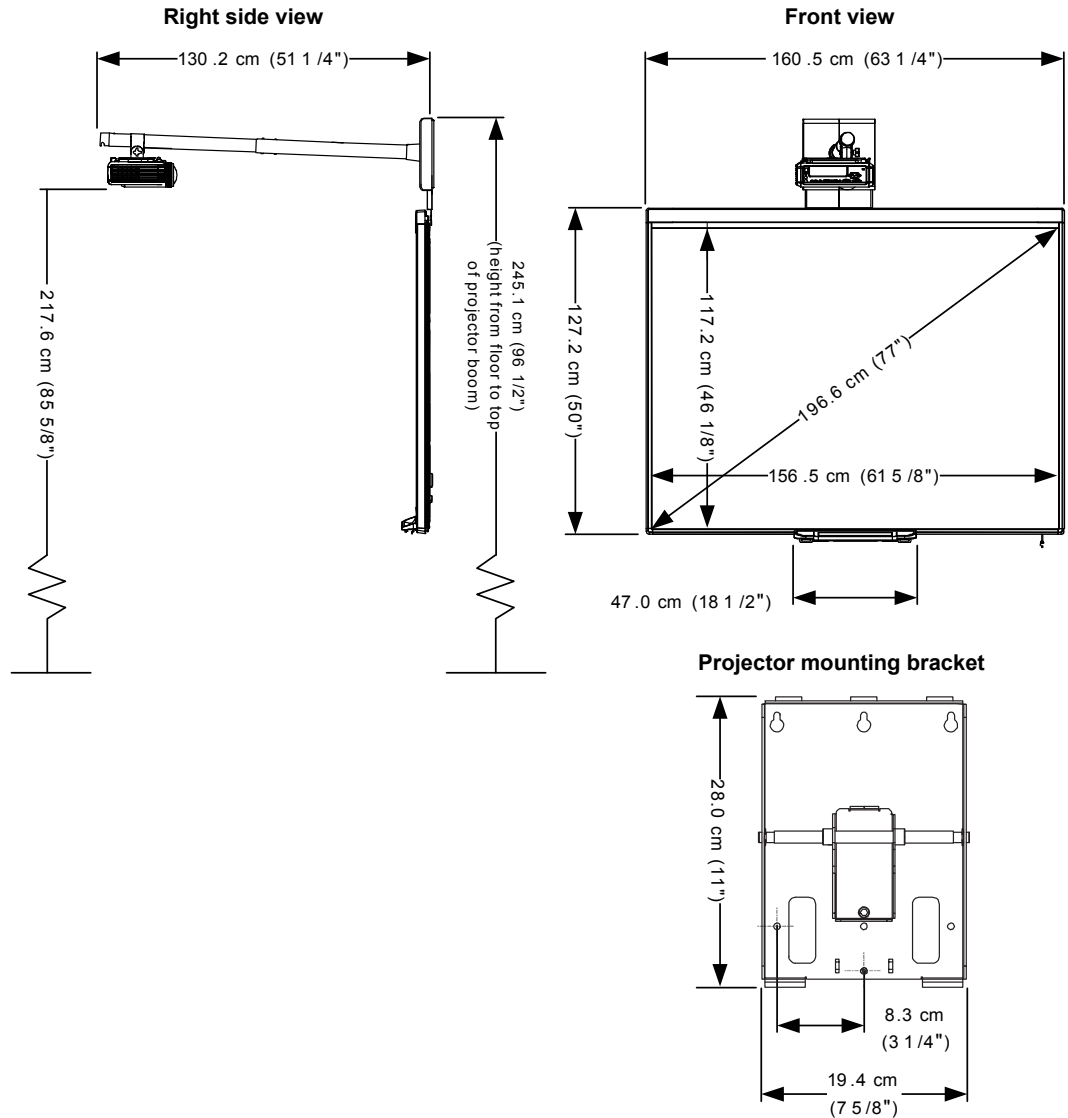
Optional accessories

- | | |
|--------------------|--|
| 20-01623-20 | Mounting hardware kit for the SMART V25 projector |
| SBA-V | SMART 20 W audio system for SMART Board 480iv interactive whiteboard systems |
| HAWM-UX/UF | SMART Height-Adjustable Wall Mount |
| FS-UJ | Mobile height-adjustable floor stand solution for SMART Board interactive whiteboards. This product includes both the height-adjustable wall mount and the floorstand. |
| AK-00122-20 | V25 projector image stabilizer for the SMART Height-Adjustable Wall Mount |
- For more information on additional accessories for your SMART Board 480iv interactive whiteboard system, see smarttech.com/accessories.

SPECIFICATIONS

SMART Board interactive whiteboard system – Model 480iv

Physical dimensions



www.smarttech.com/support | www.smarttech.com/contactsupport
Support +1.403.228.5940 or Toll Free 1.866.518.6791 (U.S./Canada)

© 2011 SMART Technologies ULC. All rights reserved. SMART Board, SMART Notebook, the SMART logo, smarttech and all SMART taglines are trademarks or registered trademarks of SMART Technologies ULC in the U.S. and/or other countries. DLP Link, DLP, BrilliantColor and Texas Instruments are trademarks of Texas Instruments. All other third-party product and company names may be trademarks of their respective owners. Patent No. US6320597; US6326954; US6741267; US6803906; US6954197; US7151533; US7184030; US7236162; US7342574; US7379622; US7532206; US7619617; US7629987; US7692625; US7751671; US7757001; USD612396; USD616462; USD617332; and USD636784. Other patents pending. Contents are subject to change without notice. 06/2011.